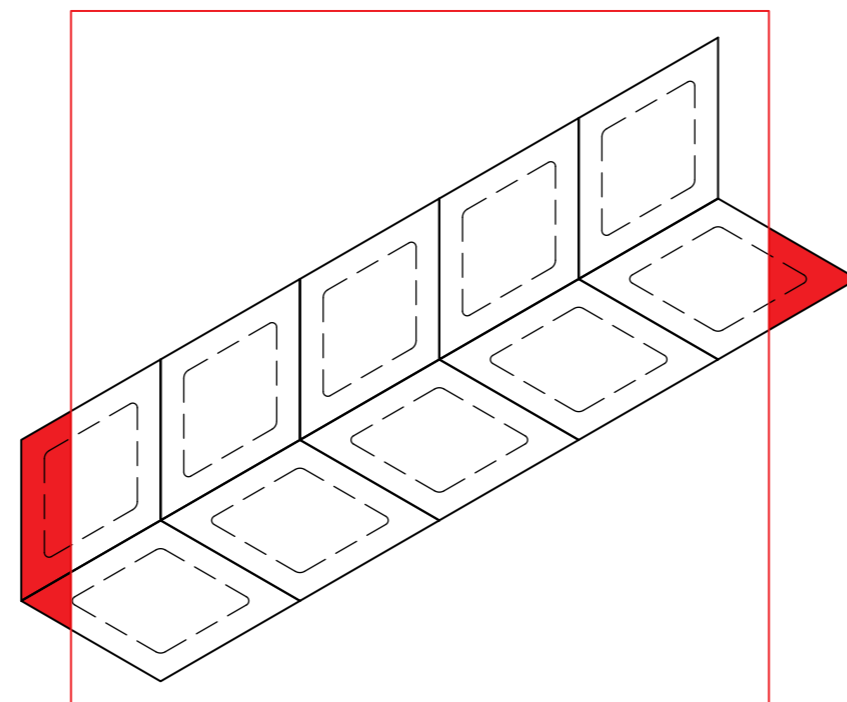
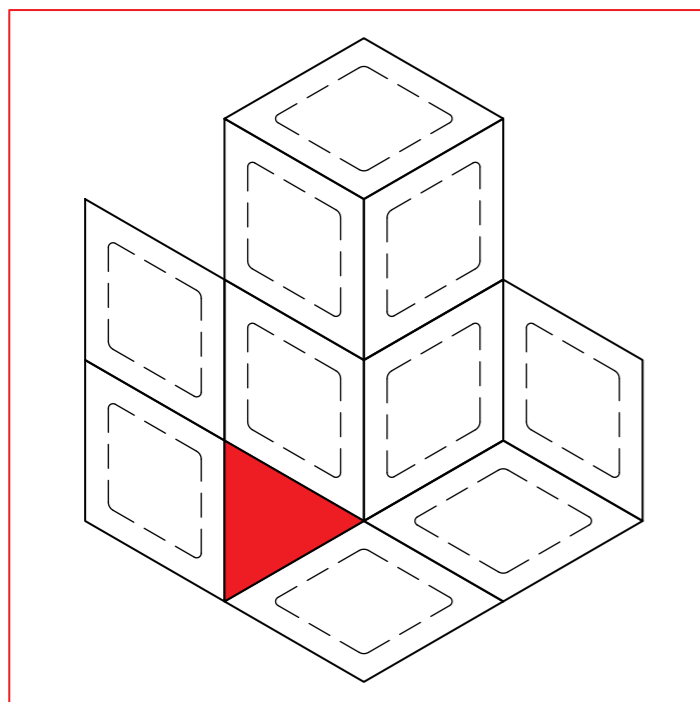


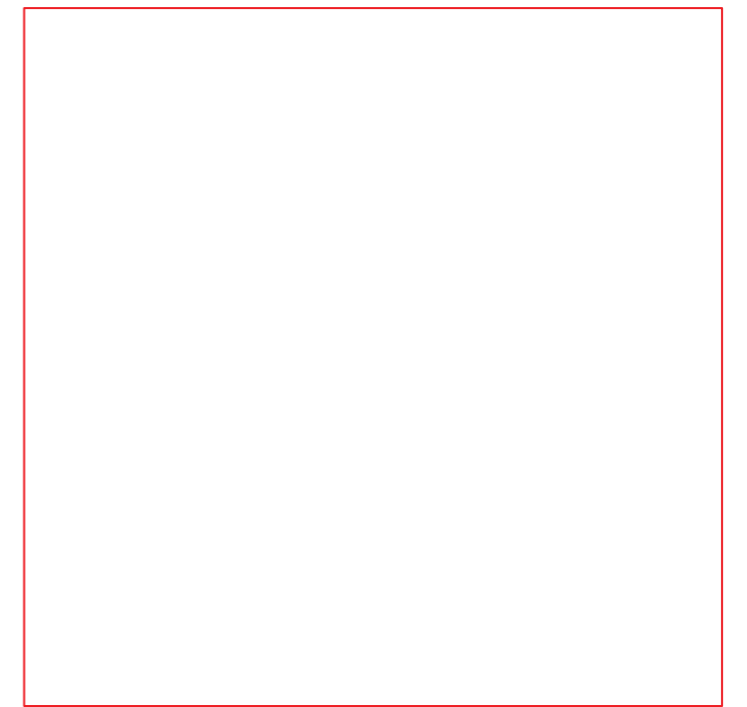
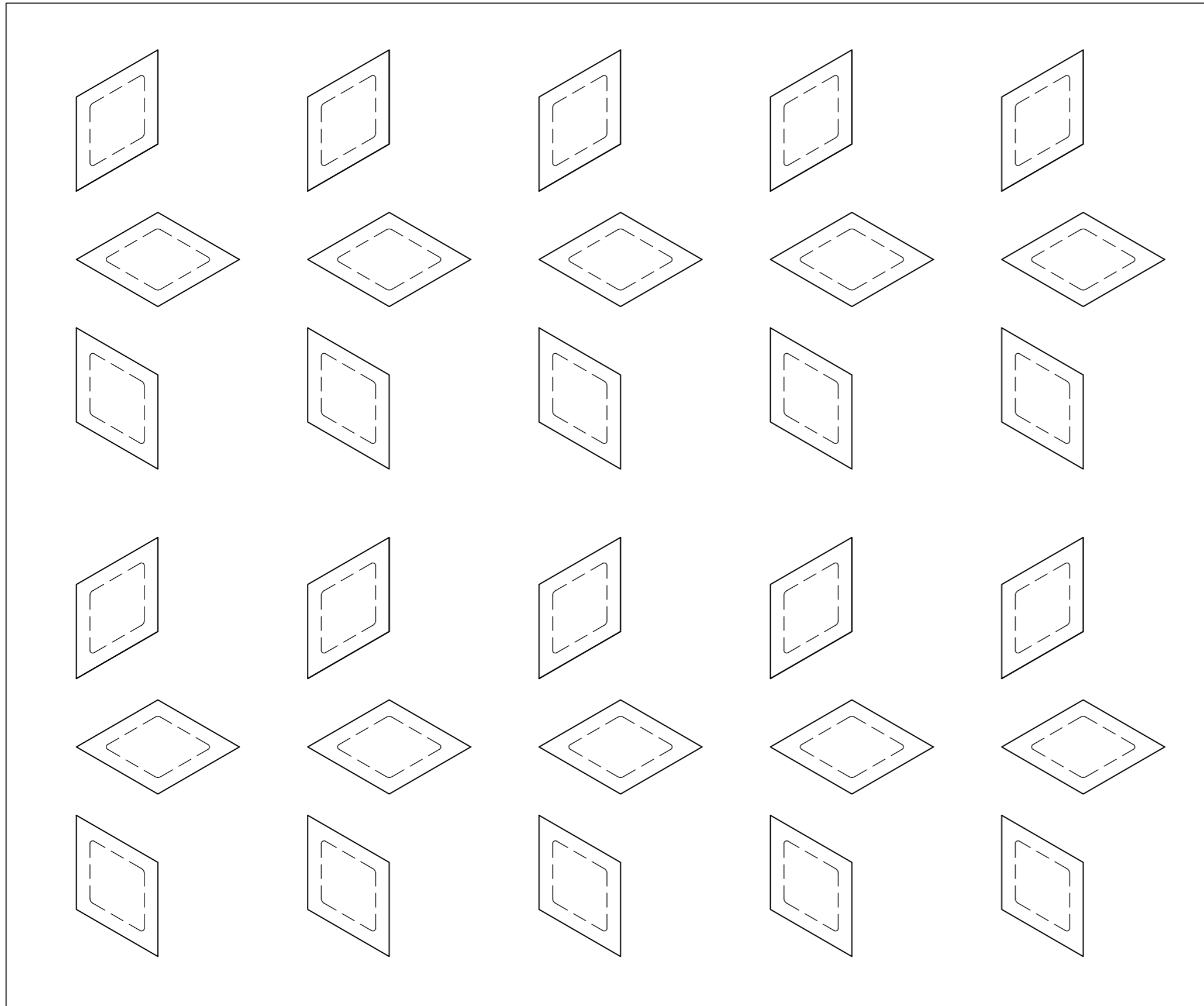
possible

bring your version together with
the written word „Paris“ and a nice design



impossible

don't think about using them



your version

puzzle parts
use only 10 pieces